

5

4

3

2

1

D

D

C


C

B

B

A

A

		<a href="http://www.myr-tech.com">http://www.myr-tech.com</a>	
		Title: MYC-Y6ULX	
Size: A3	Document Number: Power Supply	Rev: V1.3	
Draw By: MYIR	Date: Wednesday, December 11, 2019	Sheet: 2 of 12	

5

4

3

2

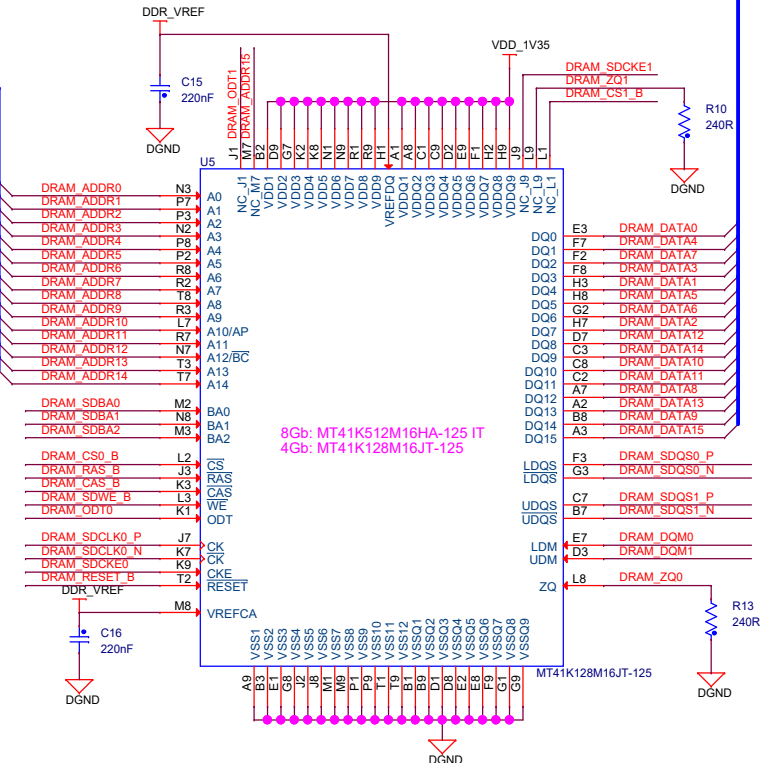
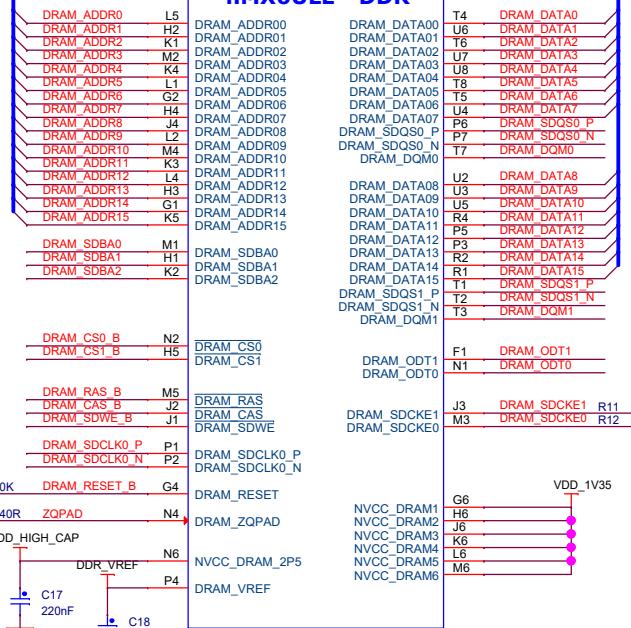
1

# DDR3/LvDDR3

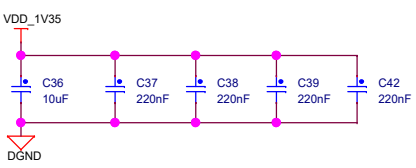
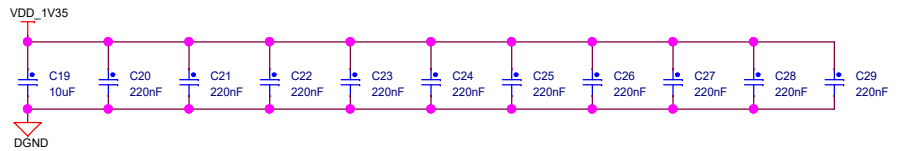
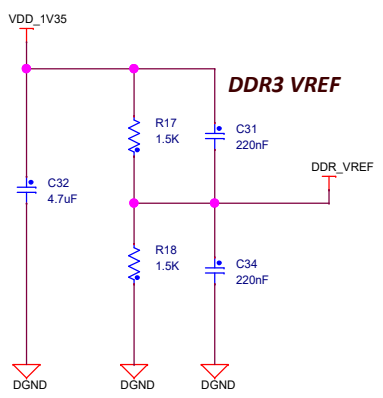
DRAM\_DATA[0:15]

DRAM\_ADDR[0:15]

## i.MX6ULL - DDR



8Gb: MT41K512M16HA-125 IT  
4Gb: MT41K128M16JT-125

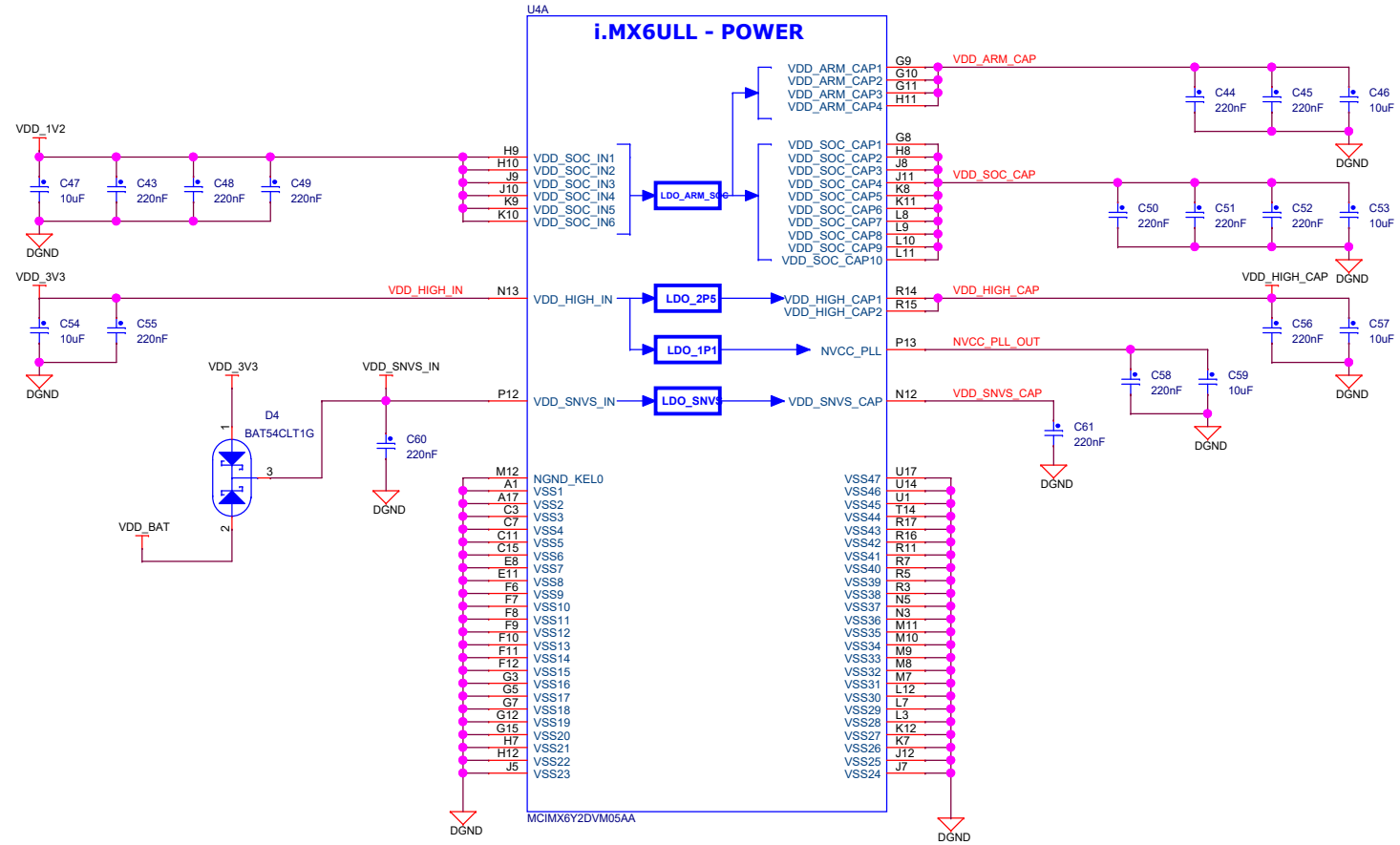


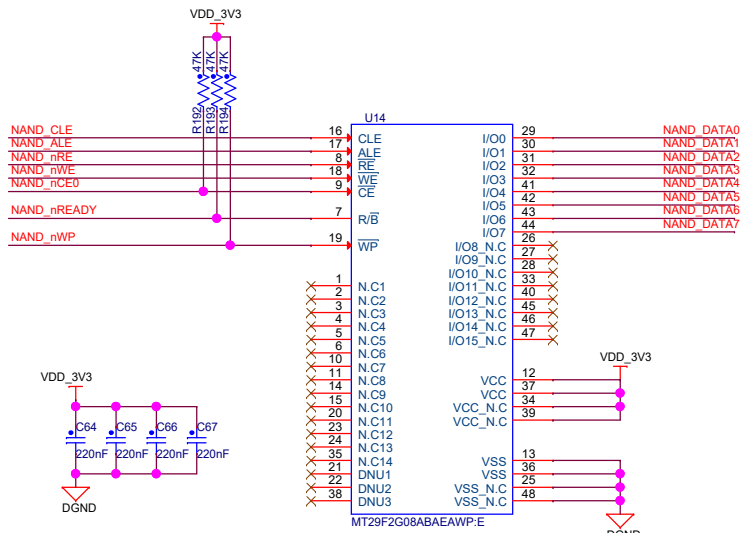
**MYIR** <http://www.myir-tech.com>

Title: MYC-V8JULX

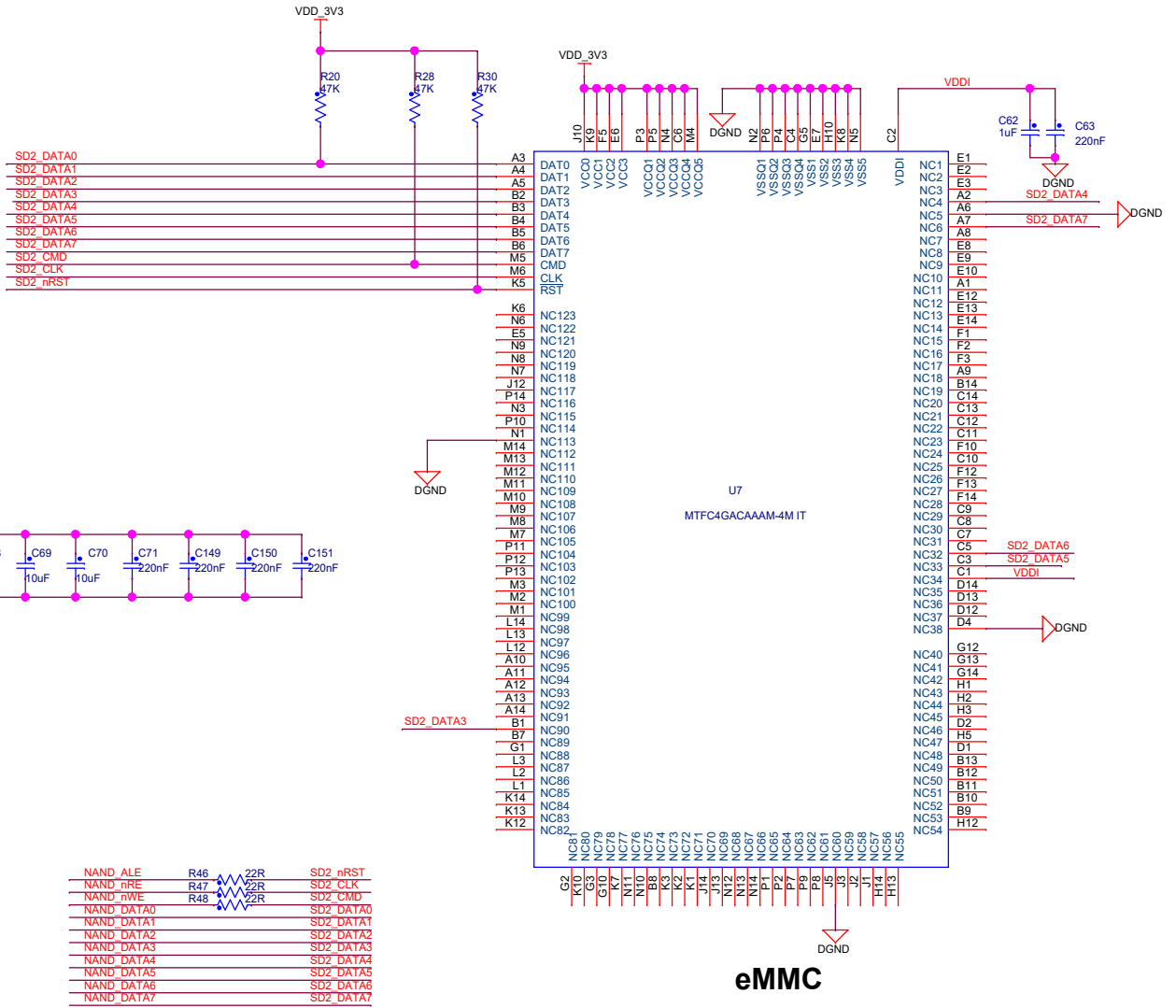
Size: A3	Document Number: IMX6UL-DDR3	Rev: V1.3
Draw By: MYIR	Date: Wednesday, December 11, 2019	Sheet: 3 of 12

# i.MX6ULL PWR





**Nand Flash**



**eMMC**

